



Product
Catalog

5

ALUMINUM EXTRUDED ENCLOSURES

Waterproof Aluminum Enclosures Heat-sink Aluminum Enclosures



CHANGHE ENCLOSURES

ABOUT US

Founded in 1997, CHANGHE has developed to be a leading enclosure manufacturer in China. With 230 dedicated employees and 26700 square meters of manufacturing facilities, we have achieved annual production capacity of 15,000,000 USD: over 500,000 enclosures and 500 units of plastic injection/aluminum die casting mold.



“YOUR ONE STOP SOLUTION FOR THE IDEAL ENCLOSURE CUSTOMIZATION”

Broad product line

With over 3,000 products for electronic components, product line of CHANGHE ranges from waterproof electronic enclosures, protective cases, din rail enclosures, extruded aluminum enclosures, console enclosures, desktop enclosures, to CATV amplifier enclosures.

Production capacity

Our ISO 9001:2015 certified factory is equipped with over 120 production machinery, including aluminum die casting machines (max. 1250 ton), plastic injection machines (max.6300g), forging press (max. 100 ton), CNC punching machines, bending machines, drilling/milling and laser cutting machines.

Added value

The significant role of manufacturing flexibility makes it a part of our strategy. CHANGHE Enclosures endeavor to provide personalized customization based on our precision machining, advanced surface coating and assembling capacities.

MAIN PRODUCTS



Aluminum Desktop Enclosures



Aluminum & Plastic Desktop Enclosures



Plastic Waterproof Enclosures



Plastic Electronic Enclosures



Aluminum Waterproof Enclosures



Aluminum Control Boxes



CATV Amplifier Enclosures



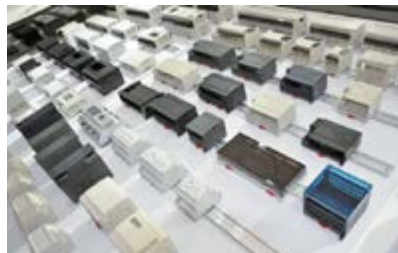
Telecom Enclosures



PP Protective Cases



ABS Protective Cases



DIN Rail PLC Enclosures



DIN Rail Terminal Enclosures



Waterproof Extruded Enclosures



Aluminum Extruded Enclosures



Handheld Enclosures

CUSTOMIZATION SERVICE



Customization

When customization is required for your specific application, CHANGHE enclosures is your competent partner. Thanks to our in-house customization facility, we are able to offer you 'one stop solution' for the ideal enclosure customization. For cooperative new product development, a 50% discount of molding fee is offered.

01

MOLD FABRICATION

CHANGHE provides cost-effective solution for mold design and fabrication, including plastic injection mold, aluminum die casting mold, and sheet metal stamping dies.

02

CUT-OUTS

On your request, our high-qualified team can process drilling, milling and thread-cutting with modern CNC machines.

03

SILK-SCREEN PRINTING

We also offer screen printing for labelling or adding logos, a process that gives your enclosures a personal touch.

04

SHIELDING MATERIAL

On request, our tech support team can recommend shielding materials for aperture, membrane, display window, vent holes and cable holes.

05

COLOR ADJUSTMENTS

We can apply your corporate colors so that enclosures appear as unique as you would like them to be.

CUSTOMIZATION SERVICE



Customization

When customization is required for your specific application, CHANGHE enclosures is your competent partner. Thanks to our in-house customization facility, we are able to offer you 'one stop solution' for the ideal enclosure customization. For cooperative new product development, a 50% discount of molding fee is offered.

01

MOLD FABRICATION

CHANGHE provides cost-effective solution for mold design and fabrication, including plastic injection mold, aluminum die casting mold, and sheet metal stamping dies.

02

CUT-OUTS

On your request, our high-qualified team can process drilling, milling and thread-cutting with modern CNC machines.

03

SILK-SCREEN PRINTING

We also offer screen printing for labelling or adding logos, a process that gives your enclosures a personal touch.

04

SHIELDING MATERIAL

On request, our tech support team can recommend shielding materials for aperture, membrane, display window, vent holes and cable holes.

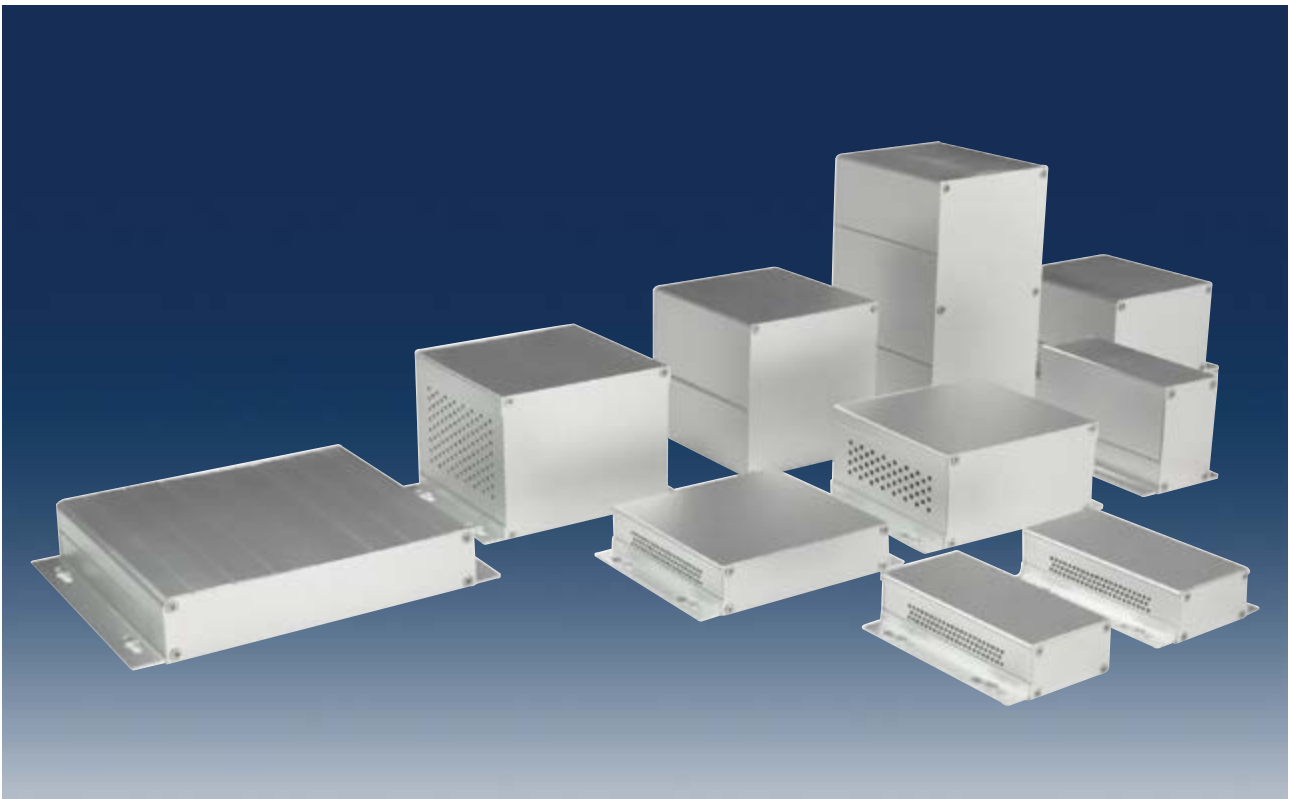
05

COLOR ADJUSTMENTS

We can apply your corporate colors so that enclosures appear as unique as you would like them to be.

Aluminum Extruded Enclosures

35 Series



Technical Data

RoHS Compliance

Technical Data:

Ingress protection:	IP52~IP65	IEC60529 : 2001
Impact protection:	IK07	IEC62262 : 2002
Temperature range (short term):	-40°C~120°C	IEC60068 : 1997
Temperature range (long term):	-20°C~80°C	IEC60068 : 1997
Chemical resistance:	good	
Flammability rating:	ABS frame UL94HB	
Heat dissipation:	good	
RFI shielding:	good	



Detailed product information
can be found on:
www.changhe-enclosures.com

Material:

Front/rear panels:	aluminum plate
Enclosure:	extruded aluminum alloy
Screws:	stainless steel
Sealing ring:	silicon rubber
Surface treatment:	clear anodizing, sand blasting anodizing, or spray painting

Dimension chart

Measurement: mm

Product No.	Exterior size LxWxH	Interior size LxWxH	Mounting plate size LxW	Wall-mounting size LxW
35A-1	90x42xT	85x37xT	85xT	
35A-2	150x75xT	141x70xT	141xT	
35A-3	90x90xT	85x85xT	85xT	
35A-4	136x136xT	120x131xT	131xT	
35A-6	150x150xT	142x143xT	143xT	
35A-7	136x64xT	131x60xT	131xT	
35A-8	160x42xT	156x37xT	156xT	
35A-9	240x42xT	234x37xT	234xT	
35A-10	160x90xT	157x85xT	157xT	
35A-11	240x90xT	234x81xT	234xT	
35A-12	214x136xT	209.5x126xT	209.5xT	
35A-13	225x150xT	220x140xT	220xT	
35A-14	65x42xT	60x37xT	37xT	
35A-15	65x90xT	60x81xT	85xT	
35A-16	52x136xT	47x127xT	131xT	
35A-17	57x150xT	52x141xT	145xT	
35A-18	85x104xT	78x93xT	100.5xT	
35A-19	105x160xT	92x158xT	160.5xT	
35A-20	155x194xT	149x180xT	180xT	
35A-21	166x197xT	157x187xT	190xT	
35B-1	38x119xT	32x114xT	114xT	
35B-4	63x119xT	57x114xT	114xT	
35B-7	45x160xT	39x155xT	155xT	
35B-10	70x160xT	65x157xT	157xT	
35B-13	36x106xT	30x98xT	97.5xT	
35B-14	26x61xT	22x53xT	53xT	
35B-15	37x61xT	33x53xT	53xT	
35B-16	48x61xT	44x53xT	53xT	
35B-17	26x76xT	22x68xT	68xT	
35B-18	37x76xT	33x68xT	68xT	
35B-19	48x76xT	44x68xT	68xT	
35B-20	37x91xT	33x77xT	83xT	

Product No.	Exterior size LxWxH	Interior size LxWxH	Mounting plate size LxW	Wall-mounting size LxW
35B-21	48x91xT	44x77xT	83xT	
35B-22	59x91xT	55x77xT	83xT	
35B-23	21x73xT	19x70xT	70xT	
35B-24	37x129xT	32x121xT	120.5xT	
35B-25	54x129xT	34x116xT	115.5xT	
35B-26	70x129xT	40x116xT	115.5xT	
35B-27	95x95xT	91x91xT	91xT	
35B-28	47x95xT	43x91xT	91xT	
35B-31	15x67xT	13x64xT	63.9xT	
35B-32	63x117xT	57x111xT	111xT	
35B-33	63x179xT	57x173xT	173xT	
35B-34	20x48xT	17x46xT	46xT	
35B-35	33x83xT	27x73xT	76.9xT	
35B-36	38x112xT	33x88xT	87.5xT	
35B-37	27x63xT	23x44xT	44.4xT	
35B-38	27x95xT	23x64xT	63.7xT	
35B-39	54x95xT	50x64xT	63.7xT	
35B-40	27x131xT	23x100xT	100xT	
35B-41	54x131xT	50x100xT	100xT	
35B-42	82x131xT	78x100xT	100xT	
35B-43	27x75xT	23x44xT	44.4xT	
35B-45	37x75xT	33.3x42xT	42.3xT	
35C-1	46x116xT	32x157xT	157xT	
35C-2	46x245xT	24x235xT	235xT	
35C-3	90x162xT	80x157xT	157xT	
35C-4	95x245xT	74x235xT	235xT	
35C-5	34x198xT	28x158xT	157.5xT	
35C-6	33x83xT	27x73xT	76.9xT	
35C-7	38x112xT	33x88xT	87.5xT	
35F-1	105x55.4	100.8x27	100.8x27	
35G-1	49x87xT	33x68xT	68xT	
35G-2	60x87xT	44x68xT	68xT	

Product No.	Exterior size LxWxH	Interior size LxWxH	Mounting plate size LxW	Wall-mounting size LxW
35G-3	49x102xT	33x77xT	83xT	
35G-4	60x102xT	44x77xT	83xT	
35G-5	70x102xT	55x77xT	83xT	
35G-6	48x140xT	32x121xT	120.5xT	
35G-7	65x140xT	34x116xT	115.5xT	
35G-8	82x140xT	40x116xT	115.5xT	
35G-9	70x37xT	22.4x53xT	53xT	
35H-1	42x61xT	32.6x52xT	52xT	
35H-2	42x82xT	32.6x78xT	78xT	
35H-3	54x82xT	44.8x78xT	78xT	
35H-4	42x113xT	32.6x103.7xT	103.7xT	
35H-5	54x113xT	44.8x103.7xT	103.7xT	
35H-6	62x113xT	56.8x103.7xT	103.7xT	
36B-1	88x135xT	93x78xT	100.5xT	120x75
36B-2	108x199xT	158x92xT	160.5xT	180x96
36B-3	160x241xT	180x149xT	180xT	215x140
36B-4	171x241xT	187x157xT	190xT	215x150
36C-1	88x110xT	78x93xT	100.5xT	
36C-2	108x175xT	92x158xT	160.5xT	
36C-3	159x214xT	149x180xT	180xT	
36C-4	170x215xT	157x187xT	190xT	

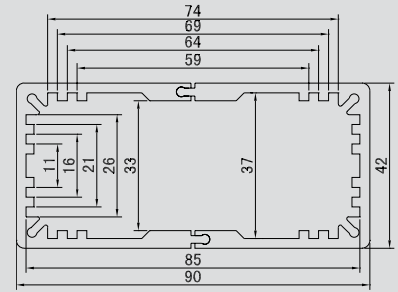
Our customization services include: 1. custom colors 2. fire-retardant materials 3. cut out 4. customized molding

35A-1 90x42xT



Standard components:
 Cover: 1 piece
 Base: 1 piece
 Front/rear panel: 2 pieces
 Screw: 8 pieces

Our customization services include:
 1. custom colors
 2. fire-retardant materials
 3. cut out
 4. customized molding

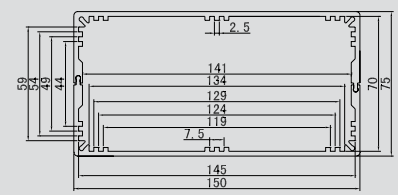


35A-2 150x75xT



Standard components:
 Cover: 1 piece
 Base: 1 piece
 Front/rear panel: 2 pieces
 Screw: 8 pieces

Our customization services include:
 1. custom colors
 2. fire-retardant materials
 3. cut out
 4. customized molding

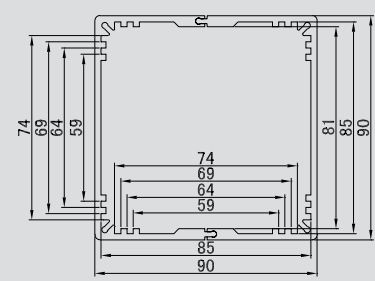


35A-3 90x90xT



Standard components:
 Cover: 1 piece
 Base: 1 piece
 Front/rear panel: 2 pieces
 Screw: 8 pieces

Our customization services include:
 1. custom colors
 2. fire-retardant materials
 3. cut out
 4. customized molding

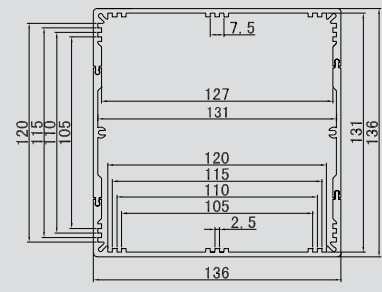


35A-4 136x136xT



Standard components:
 Cover: 1 piece
 Base: 1 piece
 Side plate: 2 pieces
 Front/rear panel: 2 pieces
 Screw: 12 pieces

Our customization services include:
 1. custom colors
 2. fire-retardant materials
 3. cut out
 4. customized molding

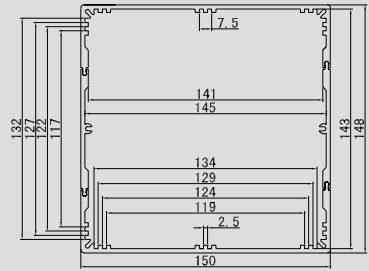


35A-6 150x150xT



Standard components:
 Cover: 1 piece
 Base: 1 piece
 Side plate: 2 pieces
 Front/rear panel: 2 pieces
 Screw: 12 pieces

Our customization services include:
 1. custom colors
 2. fire-retardant materials
 3. cut out
 4. customized molding

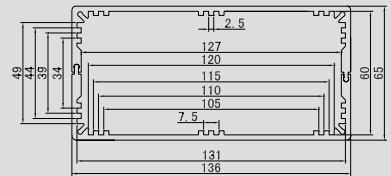


35A-7 136x64xT



Standard components:
 Cover: 1 piece
 Base: 1 piece
 Front/rear panel: 2 pieces
 Screw: 8 pieces

Our customization services include:
 1. custom colors
 2. fire-retardant materials
 3. cut out
 4. customized molding

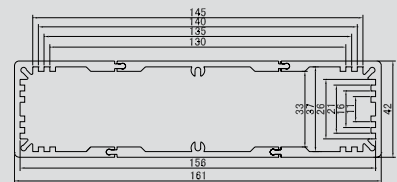


35A-8 160x42xT



Standard components:
 Cover: 1 piece
 Base: 1 piece
 Side plate: 2 pieces
 Front/rear panel: 2 pieces
 Screw: 12 pieces

Our customization services include:
 1. custom colors
 2. fire-retardant materials
 3. cut out
 4. customized molding

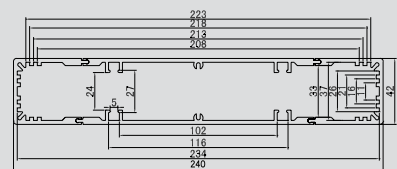


35A-9 240x42xT



Standard components:
 Cover: 1 piece
 Base: 1 piece
 Side plate: 2 pieces
 Front/rear panel: 2 pieces
 Screw: 12 pieces

Our customization services include:
 1. custom colors
 2. fire-retardant materials
 3. cut out
 4. customized molding

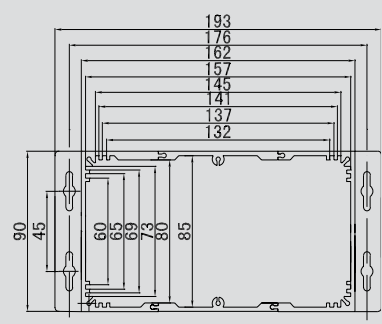


35A-10 160x90xT



Standard components:
 Cover: 1 piece
 Base: 1 piece
 Side plate: 2 pieces
 Front/rear panel: 2 pieces
 Screw: 12 pieces

Our customization services include:
 1. custom colors
 2. fire-retardant materials
 3. cut out
 4. customized molding

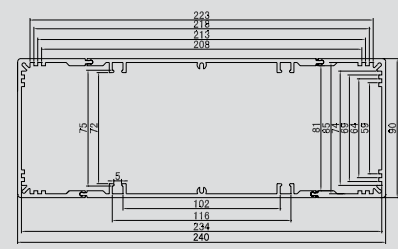


35A-11 240x90xT



Standard components:
 Cover: 1 piece
 Base: 1 piece
 Side plate: 2 pieces
 Front/rear panel: 2 pieces
 Screw: 12 pieces

Our customization services include:
 1. custom colors
 2. fire-retardant materials
 3. cut out
 4. customized molding

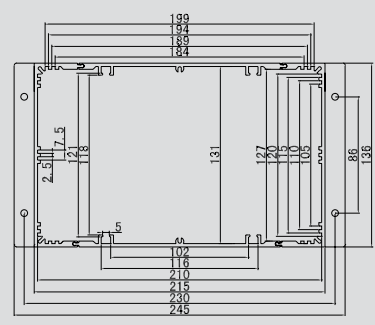


35A-12 214x136xT



Standard components:
 Cover: 1 piece
 Base: 1 piece
 Side plate: 2 pieces
 Front/rear panel: 2 pieces
 Screw: 12 pieces

Our customization services include:
 1. custom colors
 2. fire-retardant materials
 3. cut out
 4. customized molding

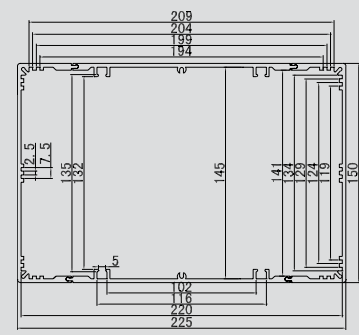


35A-13 225x150xT



Standard components:
 Cover: 1 piece
 Base: 1 piece
 Side plate: 2 pieces
 Front/rear panel: 2 pieces
 Screw: 12 pieces

Our customization services include:
 1. custom colors
 2. fire-retardant materials
 3. cut out
 4. customized molding

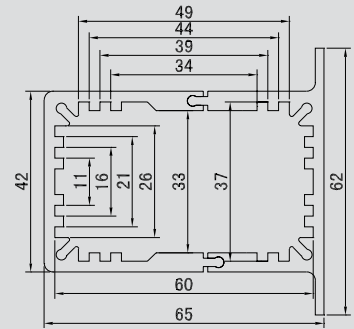


35A-14 65x42xT



Standard components:
 Cover: 1 piece
 Base: 1 piece
 Front/rear panel: 2 pieces
 Screw: 8 pieces

Our customization services include:
 1. custom colors
 2. fire-retardant materials
 3. cut out
 4. customized molding

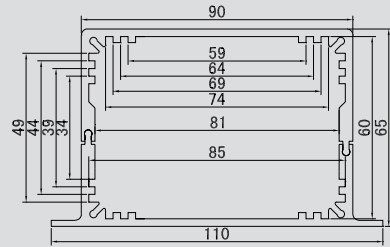


35A-15 65x90xT



Standard components:
 Cover: 1 piece
 Base: 1 piece
 Front/rear panel: 2 pieces
 Screw: 8 pieces

Our customization services include:
 1. custom colors
 2. fire-retardant materials
 3. cut out
 4. customized molding

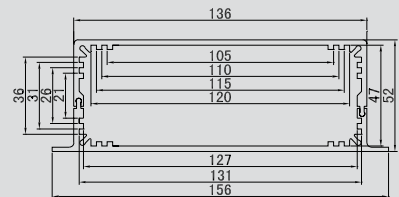


35A-16 52x136xT



Standard components:
 Cover: 1 piece
 Base: 1 piece
 Front/rear panel: 2 pieces
 Screw: 8 pieces

Our customization services include:
 1. custom colors
 2. fire-retardant materials
 3. cut out
 4. customized molding

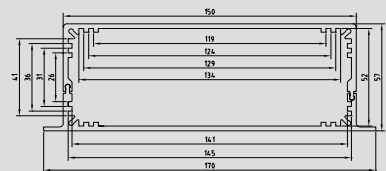


35A-17 57x150xT



Standard components:
 Cover: 1 piece
 Base: 1 piece
 Front/rear panel: 2 pieces
 Screw: 8 pieces

Our customization services include:
 1. custom colors
 2. fire-retardant materials
 3. cut out
 4. customized molding

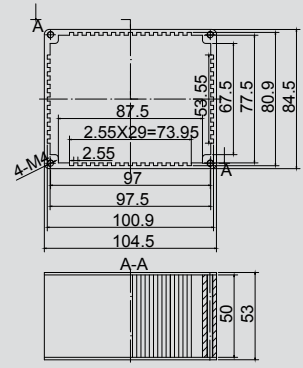


35A-18 85x104xT



Standard components:
 Aluminum extrusion profile: 1 piece
 Front/rear panel: 2 pieces
 Screw: 8 pieces

Our customization services include:
 1. custom colors
 2. fire-retardant materials
 3. cut out
 4. customized molding

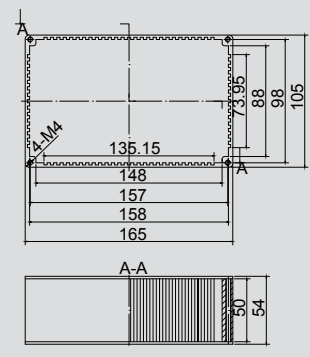


35A-19 105x160xT



Standard components:
 Aluminum extrusion profile: 1 piece
 Front/rear panel: 2 pieces
 Screw: 8 pieces

Our customization services include:
 1. custom colors
 2. fire-retardant materials
 3. cut out
 4. customized molding

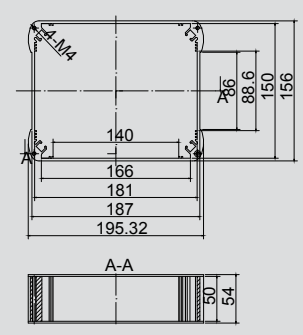


35A-20 155x194xT



Standard components:
 Aluminum extrusion profile: 1 piece
 Front/rear panel: 2 pieces
 Screw: 8 pieces

Our customization services include:
 1. custom colors
 2. fire-retardant materials
 3. cut out
 4. customized molding

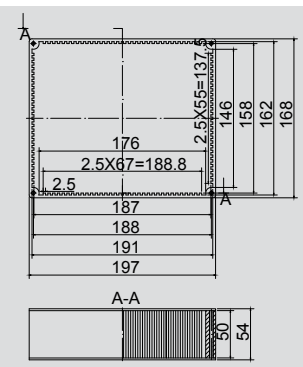


35A-21 166x197xT



Standard components:
 Aluminum extrusion profile: 1 piece
 Front/rear panel: 2 pieces
 Screw: 8 pieces

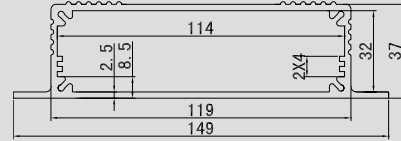
Our customization services include:
 1. custom colors
 2. fire-retardant materials
 3. cut out
 4. customized molding



35B-1 38x119xT



Standard components:
 Aluminum extrusion profile: 1 piece
 Front/rear panel: 2 pieces
 Screw: 8 pieces

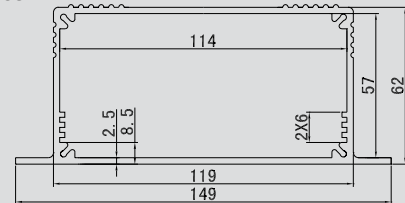


Our customization services include:
 1. custom colors
 2. fire-retardant materials
 3. cut out
 4. customized molding

35B-4 63x119xT



Standard components:
 Aluminum extrusion profile: 1 piece
 Front/rear panel: 2 pieces
 Screw: 8 pieces

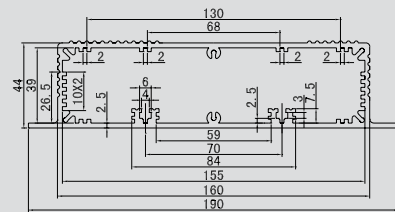


Our customization services include:
 1. custom colors
 2. fire-retardant materials
 3. cut out
 4. customized molding

35B-7 45x160xT



Standard components:
 Aluminum extrusion profile: 1 piece
 Front/rear panel: 2 pieces
 Screw: 12 pieces

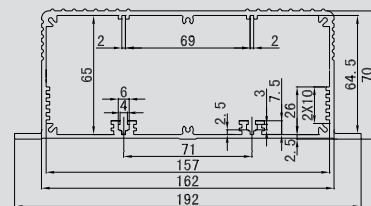


Our customization services include:
 1. custom colors
 2. fire-retardant materials
 3. cut out
 4. customized molding

35B-10 70x160xT



Standard components:
 Aluminum extrusion profile: 1 piece
 Front/rear panel: 2 pieces
 Screw: 12 pieces

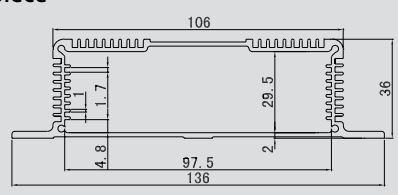


Our customization services include:
 1. custom colors
 2. fire-retardant materials
 3. cut out
 4. customized molding

35B-13 36x106xT



Standard components:
 Aluminum extrusion profile: 1 piece
 Front/rear panel: 2 pieces
 Screw: 8 pieces

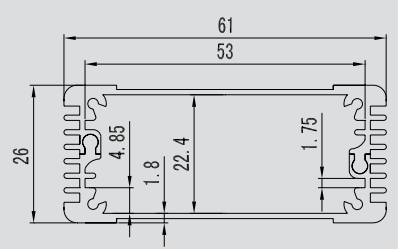


Our customization services include:
 1. custom colors
 2. fire-retardant materials
 3. cut out
 4. customized molding

35B-14 26x61xT



Standard components:
 Cover: 1 piece
 Base: 1 piece
 Front/rear panel: 2 pieces
 Screw: 8 pieces

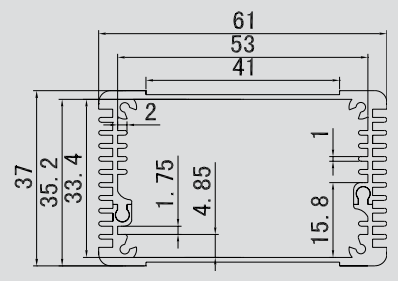


Our customization services include:
 1. custom colors
 2. fire-retardant materials
 3. cut out
 4. customized molding

35B-15 37x61xT



Standard components:
 Cover: 1 piece
 Base: 1 piece
 Front/rear panel: 2 pieces
 Screw: 8 pieces

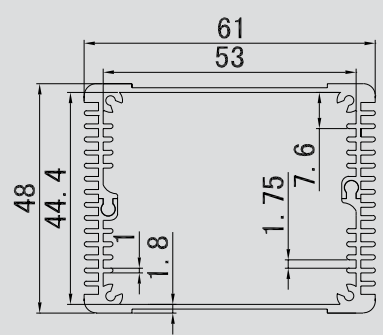


Our customization services include:
 1. custom colors
 2. fire-retardant materials
 3. cut out
 4. customized molding

35B-16 48x61xT



Standard components:
 Cover: 1 piece
 Base: 1 piece
 Front/rear panel: 2 pieces
 Screw: 8 pieces



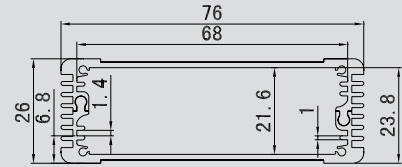
Our customization services include:
 1. custom colors
 2. fire-retardant materials
 3. cut out
 4. customized molding

35B-17 26x76xT



- Standard components:**
 Cover: 1 piece
 Base: 1 piece
 Front/rear panel: 2 pieces
 Screw: 8 pieces

- Our customization services include:**
 1. custom colors
 2. fire-retardant materials
 3. cut out
 4. customized molding

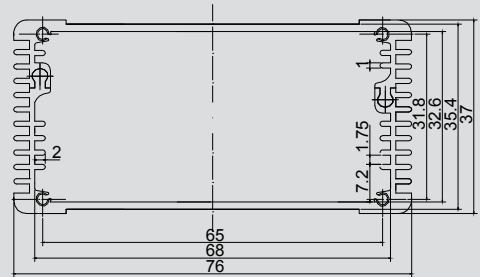


35B-18 37x76xT



- Standard components:**
 Cover: 1 piece
 Base: 1 piece
 Front/rear panel: 2 pieces
 Screw: 8 pieces

- Our customization services include:**
 1. custom colors
 2. fire-retardant materials
 3. cut out
 4. customized molding

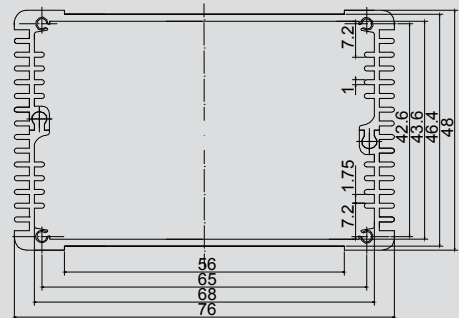


35B-19 48x76xT



- Standard components:**
 Cover: 1 piece
 Base: 1 piece
 Front/rear panel: 2 pieces
 Screw: 8 pieces

- Our customization services include:**
 1. custom colors
 2. fire-retardant materials
 3. cut out
 4. customized molding

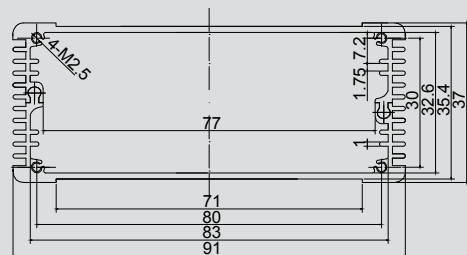


35B-20 37x91xT



- Standard components:**
 Cover: 1 piece
 Base: 1 piece
 Front/rear panel: 2 pieces
 Screw: 8 pieces

- Our customization services include:**
 1. custom colors
 2. fire-retardant materials
 3. cut out
 4. customized molding

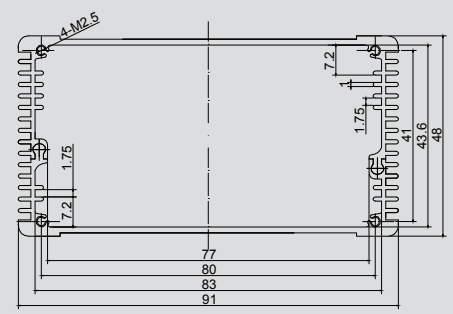


35B-21 48x91xT



Standard components:
 Cover: 1 piece
 Base: 1 piece
 Front/rear panel: 2 pieces
 Screw: 8 pieces

Our customization services include:
 1. custom colors
 2. fire-retardant materials
 3. cut out
 4. customized molding

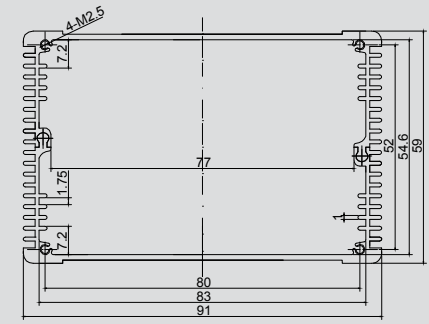


35B-22 59x91xT



Standard components:
 Cover: 1 piece
 Base: 1 piece
 Front/rear panel: 2 pieces
 Screw: 8 pieces

Our customization services include:
 1. custom colors
 2. fire-retardant materials
 3. cut out
 4. customized molding

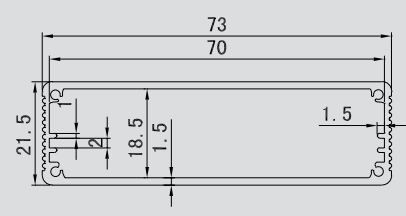


35B-23 21x73xT



Standard components:
 Aluminum extrusion profile: 1 piece
 Front/rear panel: 2 pieces
 Screw: 8 pieces

Our customization services include:
 1. custom colors
 2. fire-retardant materials
 3. cut out
 4. customized molding

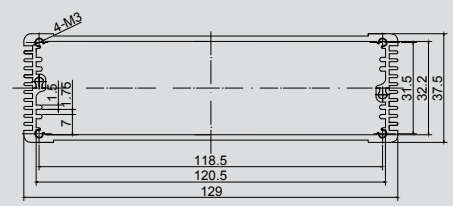


35B-24 37x129xT



Standard components:
 Cover: 1 piece
 Base: 1 piece
 Front/rear panel: 2 pieces
 Screw: 8 pieces

Our customization services include:
 1. custom colors
 2. fire-retardant materials
 3. cut out
 4. customized molding

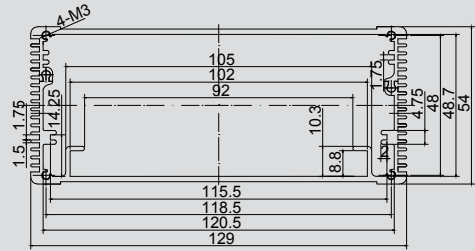


35B-25 54x129xT



Standard components:
 Cover: 1 piece
 Base: 1 piece
 Front/rear panel: 2 pieces
 Screw: 8 pieces

Our customization services include:
 1. custom colors
 2. fire-retardant materials
 3. cut out
 4. customized molding

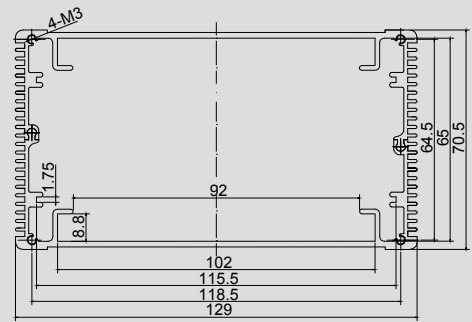


35B-26 70x129xT



Standard components:
 Cover: 1 piece
 Base: 1 piece
 Front/rear panel: 2 pieces
 Screw: 8 pieces

Our customization services include:
 1. custom colors
 2. fire-retardant materials
 3. cut out
 4. customized molding

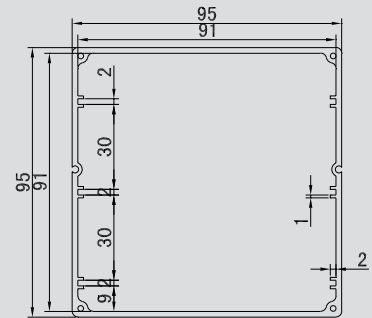


35B-27 95x95xT



Standard components:
 Aluminum extrusion profile: 1 piece
 Front/rear panel: 2 pieces
 Screw: 8 pieces

Our customization services include:
 1. custom colors
 2. fire-retardant materials
 3. cut out
 4. customized molding

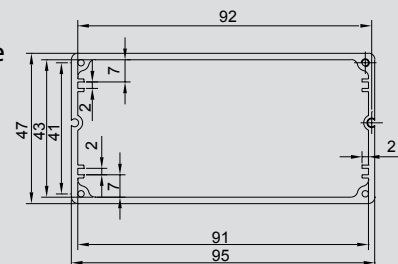


35B-28 47x95xT



Standard components:
 Aluminum extrusion profile: 1 piece
 Front/rear panel: 2 pieces
 Screw: 8 pieces

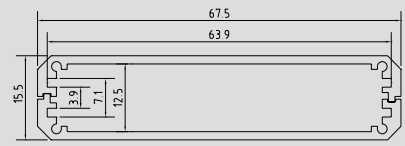
Our customization services include:
 1. custom colors
 2. fire-retardant materials
 3. cut out
 4. customized molding



35B-31 15x67xT



Standard components:
 Aluminum extrusion profile: 1 piece
 Front/rear panel: 2 pieces
 Screw: 8 pieces

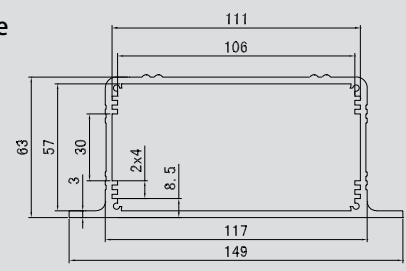


Our customization services include:
 1. custom colors
 2. fire-retardant materials
 3. cut out
 4. customized molding

35B-32 63x117xT



Standard components:
 Aluminum extrusion profile: 1 piece
 Front/rear panel: 2 pieces
 Screw: 8 pieces

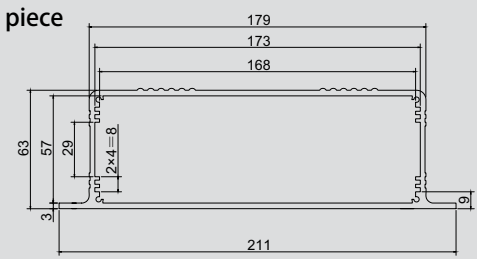


Our customization services include:
 1. custom colors
 2. fire-retardant materials
 3. cut out
 4. customized molding

35B-33 63x179xT



Standard components:
 Aluminum extrusion profile: 1 piece
 Front/rear panel: 2 pieces
 Screw: 8 pieces

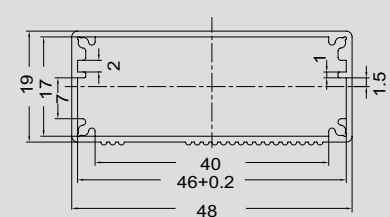


Our customization services include:
 1. custom colors
 2. fire-retardant materials
 3. cut out
 4. customized molding

35B-34 20x48xT



Standard components:
 Aluminum extrusion profile: 1 piece
 Front/rear panel: 2 pieces
 Screw: 8 pieces



Our customization services include:
 1. custom colors
 2. fire-retardant materials
 3. cut out
 4. customized molding

35B-35 33x83xT



- Standard components:**
Aluminum extrusion profile: 1 piece
Front/rear panel: 2 pieces
Screw: 8 pieces

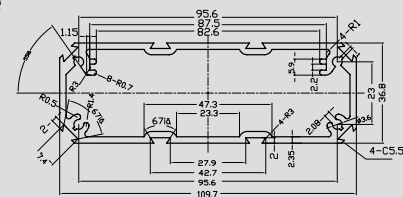


- Our customization services include:**
1. custom colors
2. fire-retardant materials
3. cut out
4. customized molding

35B-36 38x112xT



- Standard components:**
Aluminum extrusion profile: 1 piece
Front/rear panel: 2 pieces
Screw: 8 pieces

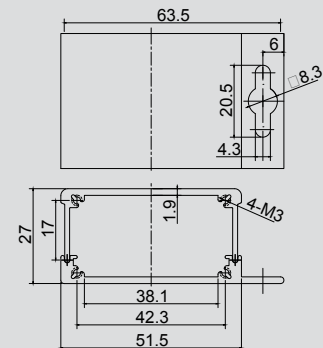


- Our customization services include:**
1. custom colors
2. fire-retardant materials
3. cut out
4. customized molding

35B-37 27x63xT



- Standard components:**
Cover: 1 piece
Base: 1 piece
Front/rear panel: 2 pieces
Screw: 8 pieces

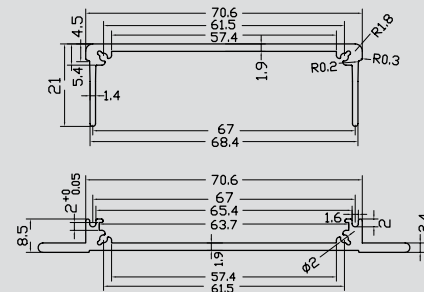


- Our customization services include:**
1. custom colors
2. fire-retardant materials
3. cut out
4. customized molding

35B-38 27x95xT



- Standard components:**
Cover: 1 piece
Base: 1 piece
Front/rear panel: 2 pieces
Screw: 8 pieces



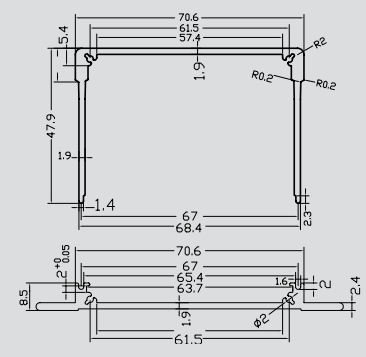
- Our customization services include:**
1. custom colors
2. fire-retardant materials
3. cut out
4. customized molding

35B-39 54x95xT



Standard components:
 Cover: 1 piece
 Base: 1 piece
 Front/rear panel: 2 pieces
 Screw: 8 pieces

Our customization services include:
 1. custom colors
 2. fire-retardant materials
 3. cut out
 4. customized molding

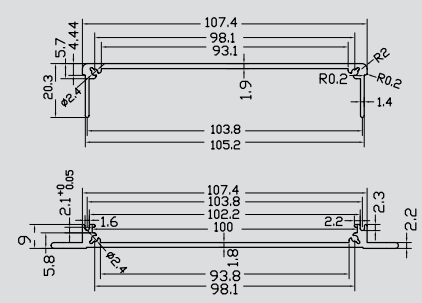


35B-40 27x131xT



Standard components:
 Cover: 1 piece
 Base: 1 piece
 Front/rear panel: 2 pieces
 Screw: 8 pieces

Our customization services include:
 1. custom colors
 2. fire-retardant materials
 3. cut out
 4. customized molding

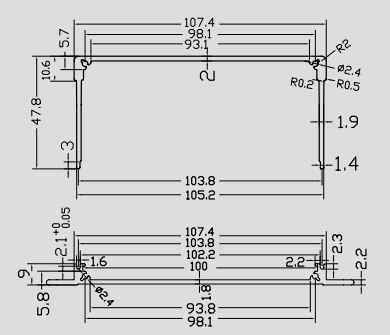


35B-41 54x131xT



Standard components:
 Cover: 1 piece
 Base: 1 piece
 Front/rear panel: 2 pieces
 Screw: 8 pieces

Our customization services include:
 1. custom colors
 2. fire-retardant materials
 3. cut out
 4. customized molding

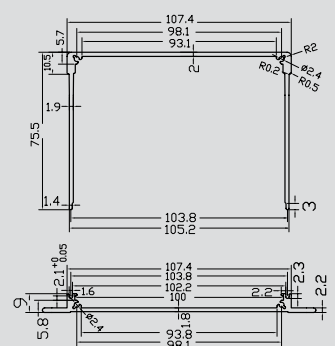


35B-42 82x131xT



Standard components:
 Cover: 1 piece
 Base: 1 piece
 Front/rear panel: 2 pieces
 Screw: 8 pieces

Our customization services include:
 1. custom colors
 2. fire-retardant materials
 3. cut out
 4. customized molding

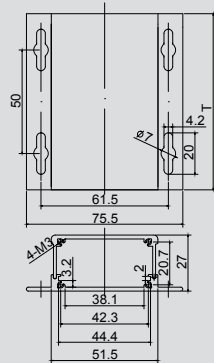


35B-43 27x75xT



Standard components:
 Cover: 1 piece
 Base: 1 piece
 Front/rear panel: 2 pieces
 Screw: 8 pieces

Our customization services include:
 1. custom colors
 2. fire-retardant materials
 3. cut out
 4. customized molding

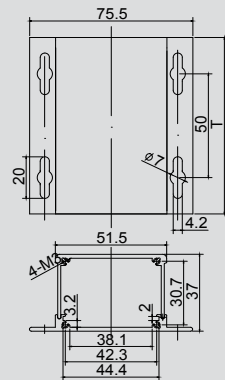


35B-45 37x75xT

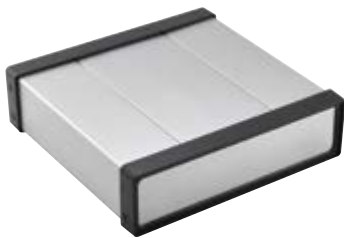


Standard components:
 Cover: 1 piece
 Base: 1 piece
 Front/rear panel: 2 pieces
 Screw: 8 pieces

Our customization services include:
 1. custom colors
 2. fire-retardant materials
 3. cut out
 4. customized molding

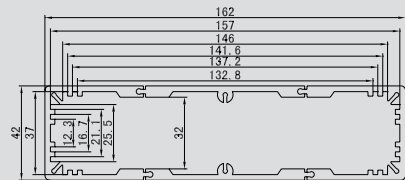


35C-1 46x116xT



Standard components:
 Cover: 1 piece
 Base: 1 piece
 Side plate: 2 pieces
 Front/rear panel: 2 pieces
 Screw: 8 pieces
 Clamp frame: 2 pieces

Our customization services include:
 1. custom colors
 2. fire-retardant materials
 3. cut out
 4. customized molding

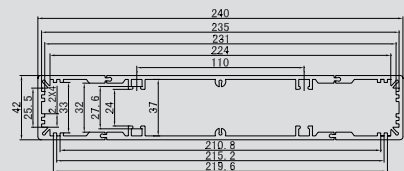


35C-2 46x245xT



Standard components:
 Cover: 1 piece
 Base: 1 piece
 Side plate: 2 pieces
 Front/rear panel: 2 pieces
 Screw: 8 pieces
 Clamp frame: 2 pieces

Our customization services include:
 1. custom colors
 2. fire-retardant materials
 3. cut out
 4. customized molding

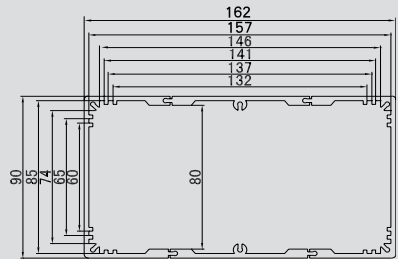


35C-3 90x162xT



Standard components:
 Cover: 1 piece
 Base: 1 piece
 Side plate: 2 pieces
 Front/rear panel: 2 pieces
 Screw: 8 pieces
 Clamp frame: 2 pieces

Our customization services include:
 1. custom colors
 2. fire-retardant materials
 3. cut out
 4. customized molding

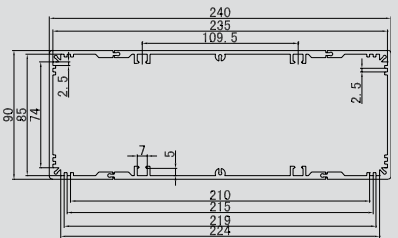


35C-4 95x245xT



Standard components:
 Cover: 1 piece
 Base: 1 piece
 Side plate: 2 pieces
 Front/rear panel: 2 pieces
 Screw: 8 pieces
 Clamp frame: 2 pieces

Our customization services include:
 1. custom colors
 2. fire-retardant materials
 3. cut out
 4. customized molding

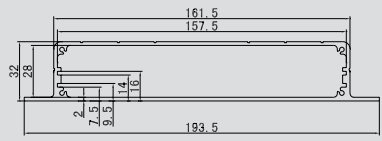


35C-5 34x198xT



Standard components:
 Aluminum extrusion profile: 1 piece
 Front/rear panel: 2 pieces
 Screw: 8 pieces

Our customization services include:
 1. custom colors
 2. fire-retardant materials
 3. cut out
 4. customized molding

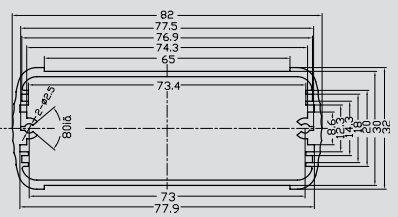


35C-6 33x83xT



Standard components:
 Aluminum extrusion profile: 1 piece
 Front/rear panel: 2 pieces
 Screw: 4 pieces
 Clamp frame: 2 pieces
 Sealing ring: 2 pieces

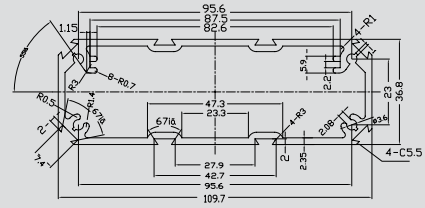
Our customization services include:
 1. custom colors
 2. fire-retardant materials
 3. cut out
 4. customized molding



35C-7 38x112xT



Standard components:
 Aluminum extrusion profile: 1 piece
 Front/rear panel: 2 pieces
 Screw: 8 pieces

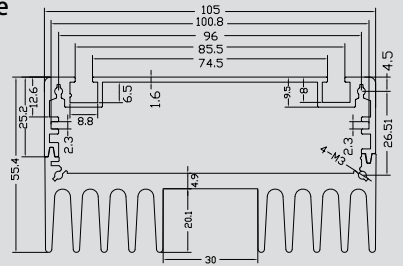


Our customization services include:
 1. custom colors
 2. fire-retardant materials
 3. cut out
 4. customized molding

35F-1 105x55.4



Standard components:
 Aluminum extrusion profile: 1 piece
 Front/rear panel: 2 pieces
 Screw: 8 pieces

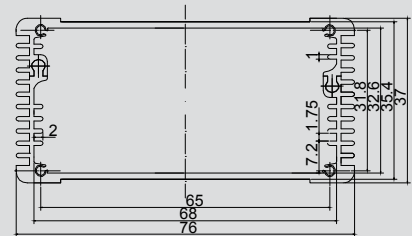


Our customization services include:
 1. custom colors
 2. fire-retardant materials
 3. cut out
 4. customized molding

35G-1 49x87xT



Standard components:
 Cover: 1 piece
 Base: 1 piece
 Front/rear panel: 2 pieces
 Screw: 8 pieces
 Clamp frame: 4 pieces
 Sealing ring: 2 pieces

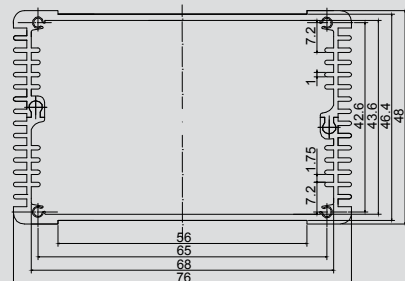


Our customization services include:
 1. custom colors
 2. fire-retardant materials
 3. cut out
 4. customized molding

35G-2 60x87xT



Standard components:
 Cover: 1 piece
 Base: 1 piece
 Front/rear panel: 2 pieces
 Screw: 8 pieces
 Clamp frame: 4 pieces
 Sealing ring: 2 pieces



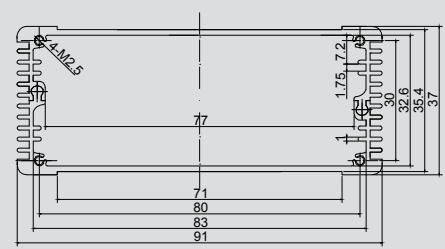
Our customization services include:
 1. custom colors
 2. fire-retardant materials
 3. cut out
 4. customized molding

35G-3 49x102xT

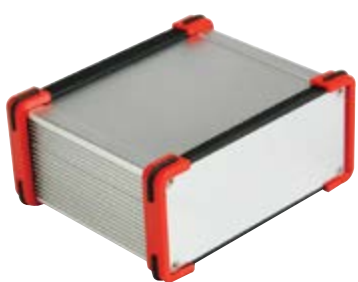


Standard components:
 Cover: 1 piece
 Base: 1 piece
 Front/rear panel: 2 pieces
 Screw: 8 pieces
 Clamp frame: 4 pieces
 Sealing ring: 2 pieces

Our customization services include:
 1. custom colors
 2. fire-retardant materials
 3. cut out
 4. customized molding

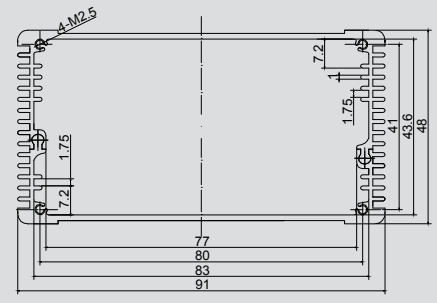


35G-4 60x102xT



Standard components:
 Cover: 1 piece
 Base: 1 piece
 Front/rear panel: 2 pieces
 Screw: 8 pieces
 Clamp frame: 4 pieces
 Sealing ring: 2 pieces

Our customization services include:
 1. custom colors
 2. fire-retardant materials
 3. cut out
 4. customized molding

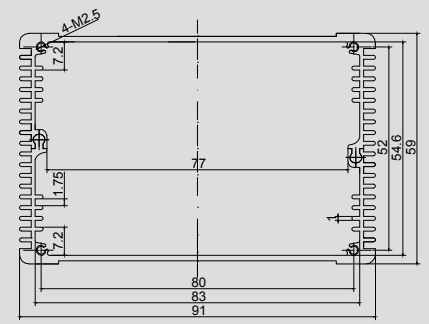


35G-5 70x102xT



Standard components:
 Cover: 1 piece
 Base: 1 piece
 Front/rear panel: 2 pieces
 Screw: 8 pieces
 Clamp frame: 4 pieces
 Sealing ring: 2 pieces

Our customization services include:
 1. custom colors
 2. fire-retardant materials
 3. cut out
 4. customized molding

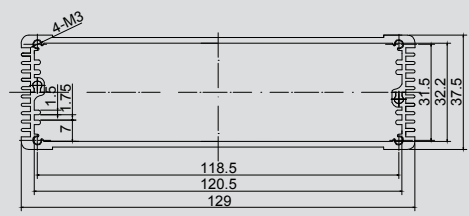


35G-6 48x140xT

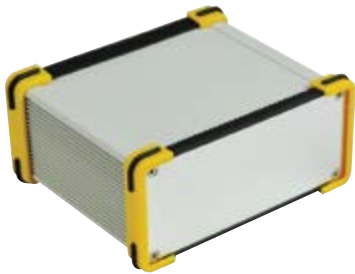


Standard components:
 Cover: 1 piece
 Base: 1 piece
 Front/rear panel: 2 pieces
 Screw: 8 pieces
 Clamp frame: 4 pieces
 Sealing ring: 2 pieces

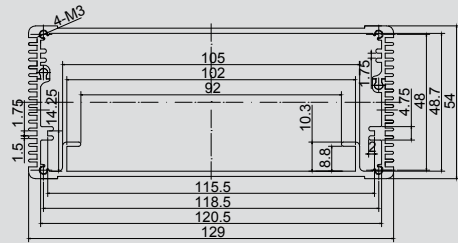
Our customization services include:
 1. custom colors
 2. fire-retardant materials
 3. cut out
 4. customized molding



35G-7 65x140xT



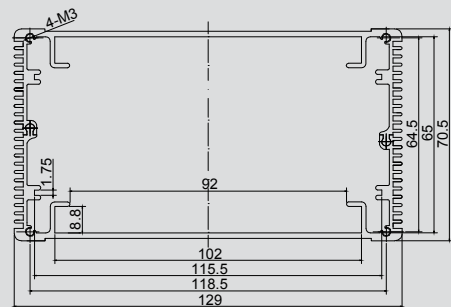
- Standard components:**
 Cover: 1 piece
 Base: 1 piece
 Front/rear panel: 2 pieces
 Screw: 8 pieces
 Clamp frame: 4 pieces
 Sealing ring: 2 pieces
- Our customization services include:**
 1. custom colors
 2. fire-retardant materials
 3. cut out
 4. customized molding



35G-8 82x140xT



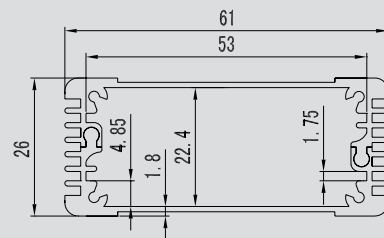
- Standard components:**
 Cover: 1 piece
 Base: 1 piece
 Front/rear panel: 2 pieces
 Screw: 8 pieces
 Clamp frame: 4 pieces
 Sealing ring: 2 pieces
- Our customization services include:**
 1. custom colors
 2. fire-retardant materials
 3. cut out
 4. customized molding



35G-9 70x37xT



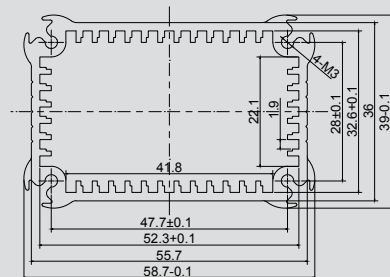
- Standard components:**
 Cover: 1 piece
 Base: 1 piece
 Front/rear panel: 2 pieces
 Screw: 8 pieces
 Clamp frame: 4 pieces
 Sealing ring: 2 pieces
- Our customization services include:**
 1. custom colors
 2. fire-retardant materials
 3. cut out
 4. customized molding



35H-1 61x42xT



- Standard components:**
 Aluminum extrusion profile: 1 piece
 Front/rear panel: 2 pieces
 Screw: 8 pieces
 Clamp frame: 2 pieces
 Upper fix frame: 2 pieces
 Sealing ring: 2 pieces
 Fix frame: 2 pieces
- Our customization services include:**
 1. custom colors
 2. fire-retardant materials
 3. cut out
 4. customized molding

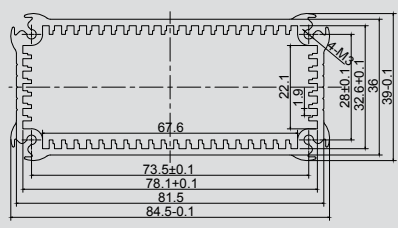


35H-2 82x42xT



Standard components:
 Aluminum extrusion profile: 1 piece
 Front/rear panel: 2 pieces
 Screw: 8 pieces
 Clamp frame: 2 pieces
 Upper fix frame: 2 pieces
 Sealing ring: 2 pieces
 Fix frame: 2 pieces

Our customization services include:
 1. custom colors
 2. fire-retardant materials
 3. cut out
 4. customized molding

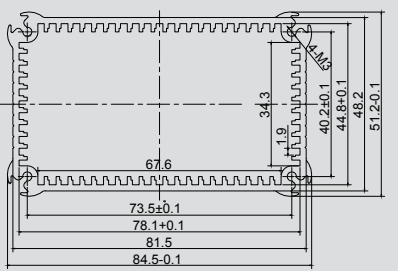


35H-3 82x54xT



Standard components:
 Aluminum extrusion profile: 1 piece
 Front/rear panel: 2 pieces
 Screw: 8 pieces
 Clamp frame: 2 pieces
 Upper fix frame: 2 pieces
 Sealing ring: 2 pieces
 Fix frame: 2 pieces

Our customization services include:
 1. custom colors
 2. fire-retardant materials
 3. cut out
 4. customized molding

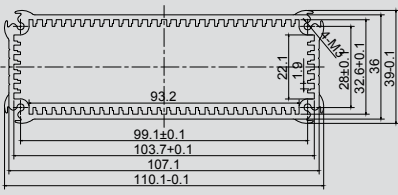


35H-4 113x42xT

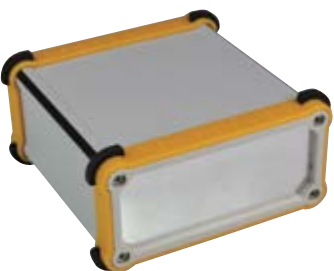


Standard components:
 Aluminum extrusion profile: 1 piece
 Front/rear panel: 2 pieces
 Screw: 8 pieces
 Clamp frame: 2 pieces
 Upper fix frame: 2 pieces
 Sealing ring: 2 pieces
 Fix frame: 2 pieces

Our customization services include:
 1. custom colors
 2. fire-retardant materials
 3. cut out
 4. customized molding

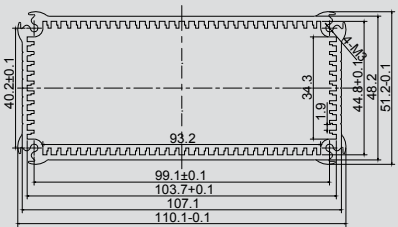


35H-5 113x54xT

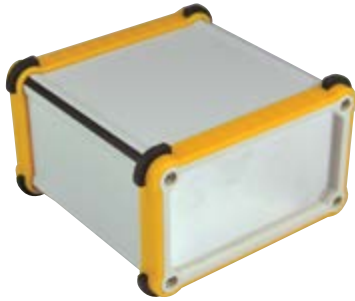


Standard components:
 Aluminum extrusion profile: 1 piece
 Front/rear panel: 2 pieces
 Screw: 8 pieces
 Clamp frame: 2 pieces
 Upper fix frame: 2 pieces
 Sealing ring: 2 pieces
 Fix frame: 2 pieces

Our customization services include:
 1. custom colors
 2. fire-retardant materials
 3. cut out
 4. customized molding

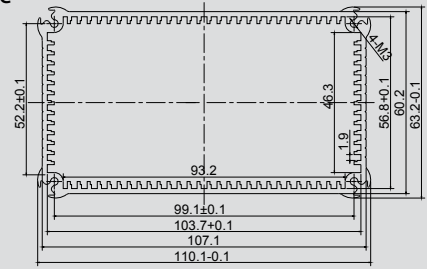


35H-6 113x62xT



- Standard components:**
 Aluminum extrusion profile: 1 piece
 Front/rear panel: 2 pieces
 Screw: 8 pieces
 Clamp frame: 2 pieces
 Upper fix frame: 2 pieces
 Sealing ring: 2 pieces
 Fix frame: 2 pieces

- Our customization services include:**
 1. custom colors
 2. fire-retardant materials
 3. cut out
 4. customized molding

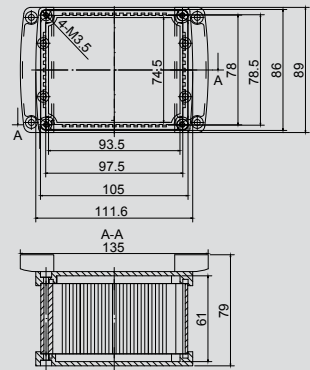


36B-1 88x135xT



- Standard components:**
 Aluminum extrusion profile: 1 piece
 Cover: 1 piece
 Base: 1 piece
 Sealing ring: 2 pieces
 Screw: 12 pieces
 Mounting kit: 2 pieces

- Our customization services include:**
 1. custom colors
 2. fire-retardant materials
 3. cut out
 4. customized molding

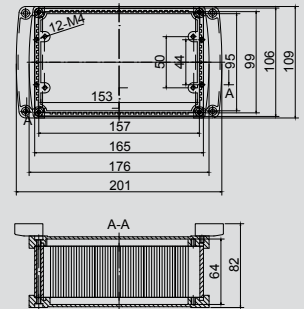


36B-2 108x199xT



- Standard components:**
 Aluminum extrusion profile: 1 piece
 Cover: 1 piece
 Base: 1 piece
 Sealing ring: 2 pieces
 Screw: 12 pieces
 Mounting kit: 2 pieces

- Our customization services include:**
 1. custom colors
 2. fire-retardant materials
 3. cut out
 4. customized molding

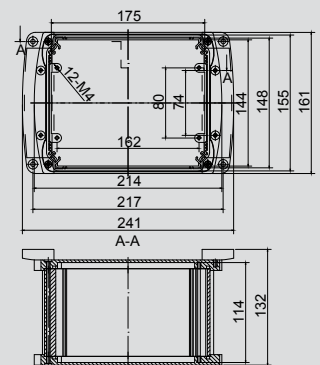


36B-3 160x241xT



- Standard components:**
 Aluminum extrusion profile: 1 piece
 Cover: 1 piece
 Base: 1 piece
 Sealing ring: 2 pieces
 Screw: 12 pieces
 Mounting kit: 2 pieces

- Our customization services include:**
 1. custom colors
 2. fire-retardant materials
 3. cut out
 4. customized molding

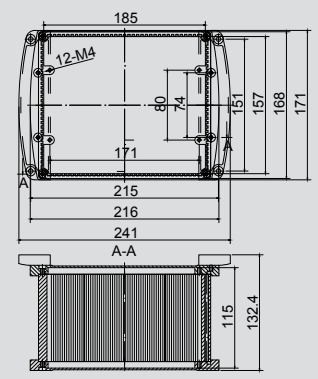


36B-4 171x241xT

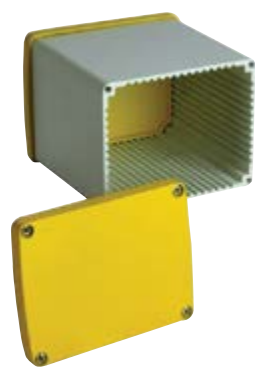


Standard components:
 Aluminum extrusion profile: 1 piece
 Cover: 1 piece
 Base: 1 piece
 Sealing ring: 2 pieces
 Screw: 12 pieces
 Mounting kit: 2 pieces

Our customization services include:
 1. custom colors
 2. fire-retardant materials
 3. cut out
 4. customized molding

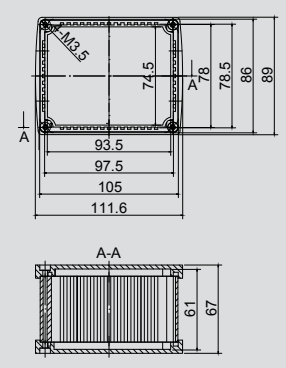


36C-1 88x110xT



Standard components:
 Aluminum extrusion profile: 1 piece
 Cover: 1 piece
 Base: 1 piece
 Sealing ring: 2 pieces
 Screw: 8 pieces

Our customization services include:
 1. custom colors
 2. fire-retardant materials
 3. cut out
 4. customized molding

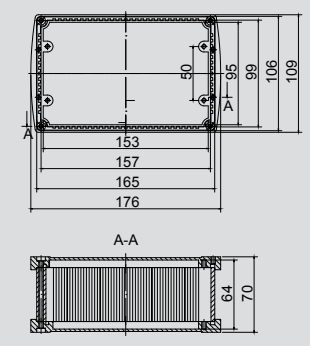


36C-2 108x175xT



Standard components:
 Aluminum extrusion profile: 1 piece
 Cover: 1 piece
 Base: 1 piece
 Sealing ring: 2 pieces
 Screw: 8 pieces

Our customization services include:
 1. custom colors
 2. fire-retardant materials
 3. cut out
 4. customized molding

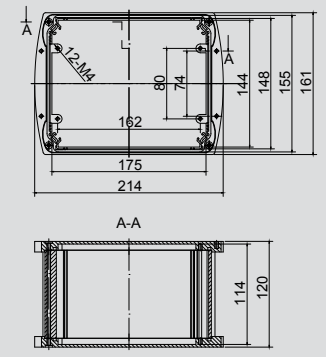


36C-3 159x214xT



Standard components:
 Aluminum extrusion profile: 1 piece
 Cover: 1 piece
 Base: 1 piece
 Sealing ring: 2 pieces
 Screw: 8 pieces

Our customization services include:
 1. custom colors
 2. fire-retardant materials
 3. cut out
 4. customized molding



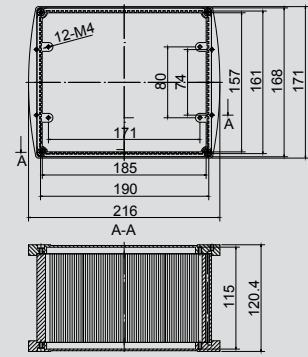
36C-4

170x215xT



Standard components:
Aluminum extrusion profile: 1 piece
Cover: 1 piece
Base: 1 piece
Sealing ring: 2 pieces
Screw: 8 pieces

Our customization services include:
1. custom colors
2. fire-retardant materials
3. cut out
4. customized molding



C H A N G H E
E N C L O S U R E S



Ningbo Dayang Enclosures Co., Ltd

788 Weier road, Economic development zone, Cixi, Zhejiang Province, China

sales@changhe-enclosures.com

www.changhe-enclosures.com